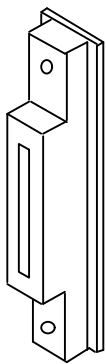
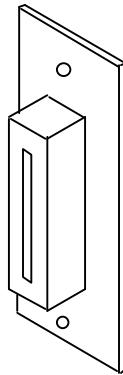


Figure preference question - January 30, 2001

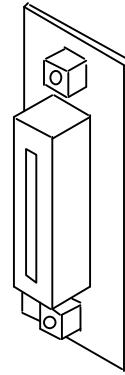
These are other potential figures C.2 and C.3 for HIPPI-6400-PH Rev 2.7, pages 55 and 56. The question is "which set should be used in the document." The ones in this set print cleaner. Unfortunately, figure C.2 (a) on page 55 is as clean as the editor was able to make it. This simple set (on these pages) also don't have as much detail as the ones on pages 55-56. The fine detail may distract from what we are trying to emphasize. We need to pick one, and it doesn't matter to the editor which set is used.



(a) Bar, Narrow flange



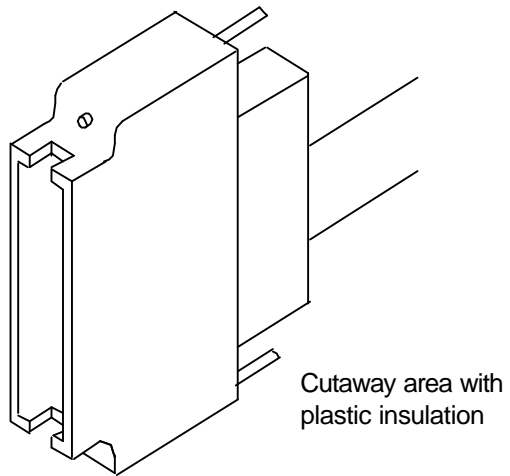
(b) No bar, Wide flange
Hex jackpost



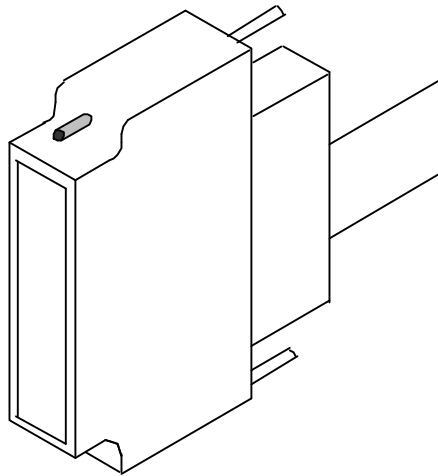
(c) No bar, Wide flange
Special jackpost

Figure C.2 – Original receptacle physical variants

(a) "Old" with notch
DC-Isolated single shield



(b) "Old" without notch
DC-Isolated single shield



(c) "New"
DC-Coupled dual shield

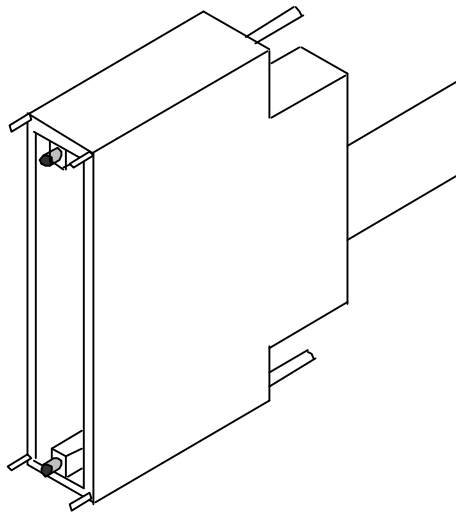


Figure C.3 – Original connector physical variants