

---

---

**Information Technology –  
High-Performance Parallel Interface –  
Encapsulation of ISO/IEC 8802-2 (IEEE Std 802.2)  
Logical Link Control Protocol Data Units (HIPPI-LE)**

Secretariat : National Committee for Information Technology Standardization (NCITS)

This is an internal working draft of T11.1, a Task Group of Technical Committee T11 of Accredited Standards Committee NCITS. As such, this is not a completed standard. The contents are actively being modified by T11.1.

Permission is granted to members of NCITS, its technical committees, and their associated task groups to reproduce this document for the purposes of NCITS standardization activities without further permission, provided this notice is included. All other rights are reserved. Any duplication for commercial or for-profit use is prohibited.

**ABSTRACT**

The described Specification provides an encapsulation of ISO/IEC 8802-2 (IEEE Std 802.2) Logical Link Control Protocol Data Units over the High-Performance Parallel Interface (HIPPI).

Contacts : T11.1 Chairman

Roger Ronald  
Power Micro Research  
Suite 1100  
1411 East Campbell Road  
Richardson, TX 75081  
Voice : 972-437-9461  
FAX : 972-994-0888  
E-mail : rronald@pmr.com

T11.1 Vice Chairman

Don Woelz  
Genroco Inc.  
255 Info Highway  
Slinger, WI 53086  
Voice : 414-644-2505  
Fax : 414-644-6667  
E-mail : don@genroco.com

Technical Editor

Don Tolmie  
Tolmie Enterprises  
60 La Cueva  
Los Alamos, NM 87544  
Voice : 505-662-7110  
E-mail : tolmie@concentric.net

Other Points of Contact:

<u>T11 Chairman</u>	<u>T11 Vice-Chairman</u>	<u>NCITS Secretariat</u>
Kumar Malavalli Brocade Communications 1901 Guadalupe Parkway San Jose, CA 95131	Edward L. Grivna Cypress Semiconductor 2401 East 86th Street Bloomington, MN 55425	NCITS Secretariat, ITI 1250 Eye Street, NW Suite 200 Washington, DC 20005
Voice : 408-487-8156	612-851-5046	202-737-8888
FAX : 408-524-8601	612-851-5087	202-638-4922
E-mail : <a href="mailto:kumar@brocade.com">kumar@brocade.com</a>	<a href="mailto:elg@cypress.com">elg@cypress.com</a>	<a href="mailto:ncitssec@itic.nw.dc.us">ncitssec@itic.nw.dc.us</a>

T11.1 E-mail Reflector (for HIPPI and ST technical discussions and notification of things on the web site)

Internet address for subscribing to the reflector:	<a href="mailto:Majordomo@nsco.network.com">Majordomo@nsco.network.com</a>
Message should contain a line stating...	subscribe hippie <your E-mail address>
Internet address for distribution via the HIPPI reflector	<a href="mailto:hippie@nsco.network.com">hippie@nsco.network.com</a>

T11 E-mail Reflector (for T11 meeting notices, agendas etc.)

Internet address for subscription to the T11 reflector:	<a href="mailto:Majordomo@nsco.network.com">Majordomo@nsco.network.com</a>
Message should contain a line stating...	subscribe T11 <your E-mail address>
Internet address for distribution via T11 reflector:	<a href="mailto:t11@nsco.network.com">t11@nsco.network.com</a>

Web sites:

HIPPI and ST Standards Activities	<a href="http://www.hippi.org/">http://www.hippi.org/</a>
T11 Activities	<a href="http://www.t11.org/">http://www.t11.org/</a>
NCITS	<a href="http://www.ncits.org/">http://www.ncits.org/</a>

T11 Document Distribution :

Global Engineering  
15 Inverness Way East  
Englewood, CO 80112-5704  
Voice : 303-792-2181 or 800-854-7179  
FAX : 303-792-2192

**PATENT STATEMENT**

CAUTION: The developers of this standard have requested that holder's of patents that may be required for the implementation of the standard, disclose such patents to the publisher. However, neither the developers nor the publisher have undertaken a patent search in order to identify which, if any, patents may apply to this standard.

As of the date of publication of this standard and following calls for the identification of patents that may be required for the implementation of the standard, **no** such claims have been made. No further patent search is conducted by the developer or the publisher in respect to any standard it processes. No representation is made or implied that licenses are not required to avoid infringement in the use of this standard.

## Comments on Rev 3.8

This is a draft revision of ANSI Standard X3.218-1993. Many of the current changes are just place holders, or are put there to stimulate discussion. Hence, do not assume that the items herein are correct, or final – everything is subject to change. This page tries to outline where we are; what has been discussed and semi-approved, and what has been added or changed recently and deserves your special attention. This summary relates to changes since the previous revision. Also, previous open issues are outlined with a single box, new open issues ones are marked with a double bar on the left edge of the box.

Changes are marked with margin bars so that changed paragraphs are easily found, and then highlights mark the specific changes. The list below just describes the major changes, for detail changes please compare this revision to the previous revision. **The major technical changes are printed in bold.**

Please help us in this development process by sending comments, corrections, and suggestions to the Technical Editor, Don Tolmie, of the Los Alamos National Laboratory, at det@lanl.gov. If you would like to address the whole group working on this document, send the comment(s) to hippie@network.com.

1. Updated the contact information on the front cover. Changed "...199x" to "...200x".
2. Updated the T11 Chairman's information on the back of the front cover. Updated various e-mail and web addresses on the back of the front cover. Changed the note at the bottom of the page concerning patents to be "...no such claims have been made...".
3. On the title page, changed "199x" to "200x" in two places.
4. Behind the title page, i.e., the ANSI boilerplate, added the patent disclaimer.
5. In the Foreword, changed "...199x" to "...200x" in the first line. In the 2<sup>nd</sup> paragraph, changed "... in 1998..." to "...in 1998-1999, mainly..."; deleted "(superceded by Internet Draft "ARP and IP Broadcast over HIPPI-800")". Updated the NCITS, T11, and T11.1 membership lists to be current as of January 8, 2000. The T11.1 list includes the current membership, current –LE participants that aren't members, and

the original T9.3 list of participants that contributed to the original –LE.

6. On page 1, changed "...199x" to "...200x" in the header.
7. On page 3, clause 4, **deleted the paragraph reading "Resolution between HIPPI-SC 12-bit and 24-bit addresses and IEEE 802.2 48-bit addresses is specified in RFC xxx "ARP and IP Broadcast over HIPPI-800", available from the Internet Engineering Task Force (IETF)."**
8. On page 7, **deleted** original note 7 (at the bottom of the first column) which read **"NOTE 7 – See RFC xxxx for usage of the Self Address Resolution PDUs."** Updated the note numbers of the following notes to take up the slack.
9. On page 7, note 7, **changed "...the ARP protocol in RFC xxxx." to "...in the ARP protocol."**
10. On page 9, added the paragraph following figure A.1. This paragraph replaces Annex B, which was deleted. Note that the title for figure A.1 is the only place in the document mentioning RFC's.

*Editor's Note – It seems a shame to have to remove the "ARP and IP Broadcast over HIPPI-800" references, but since that document never progressed from Internet Draft to RFC status there doesn't seem to be any other choice. T11.1 waited over a year for RFC status to be obtained, and finally gave up. I checked the IETF web site and found the following information:*

Internet-Drafts are not an archival document series. These documents should not be cited or quoted in any formal document. Unrevised documents placed in the Internet-Drafts directories have a maximum life of six months. After that time, they must be updated, or they will be deleted. After a document becomes an RFC, it will be replaced in the Internet-Drafts Directories with an announcement to that effect.

*Don*



ANSI®  
**X3.218-200x**  
Revision of  
ANSI X3.218-1993

American National Standard  
for Information Technology –

High-Performance Parallel Interface –  
Encapsulation of ISO/IEC 8802-2 (IEEE Std 802.2)  
Logical Link Control Protocol Data Units (HIPPI-LE)

Secretariat

**Information Technology Industry Council (ITI)**

| Approved , **200x**

**American National Standards Institute, Inc.**

**Abstract**

The described Specification provides an encapsulation of ISO/IEC 8802-2 (IEEE Std 802.2) Logical Link Control Protocol Data Units over the High-Performance Parallel Interface (HIPPI).

# American National Standard

Approval of an American National Standard requires verification by ANSI that the requirements for due process, consensus, and other criteria for approval have been met by the standards developer.

Consensus is established when, in the judgment of the ANSI Board of Standards Review, substantial agreement has been reached by directly and materially affected interests. Substantial agreement means much more than a simple majority, but not necessarily unanimity. Consensus requires that all views and objections be considered, and that a concerted effort be made towards their resolution.

The use of American National Standards is completely voluntary; their existence does not in any respect preclude anyone, whether he has approved the standards or not, from manufacturing, marketing, purchasing, or using products, processes, or procedures not conforming to the standards.

The American National Standards Institute does not develop standards and will in no circumstances give interpretation on any American National Standard. Moreover, no person shall have the right or authority to issue an interpretation of an American National Standard in the name of the American National Standards Institute. Requests for interpretations should be addressed to the secretariat or sponsor whose name appears on the title page of this standard.

**CAUTION NOTICE:** This American National Standard may be revised or withdrawn at any time. The procedures of the American National Standards Institute require that action be taken periodically to reaffirm, revise, or withdraw this standard. Purchasers of American National Standards may receive current information on all standards by calling or writing the American National Standards Institute.

**CAUTION:** The developers of this standard have requested that holder's of patents that may be required for the implementation of the standard disclose such patents to the publisher. However, neither the developers nor the publisher have undertaken a patent search in order to identify which, if any, patents may apply to this standard.

As of the date of publication of this standard, following calls for the identification of patents that may be required for the implementation of the standard, notice of no such claims have been received.

No further patent search is conducted by the developer or the publisher in respect to any standard in process. No representation is made or implied that this is the only license that may be required to avoid infringement in the use of this standard.

<b>Contents</b>	<b>Page</b>
Foreword .....	ii
1 Scope .....	1
2 Normative references.....	1
3 Definitions and conventions .....	2
3.1 Definitions.....	2
3.2 Editorial conventions.....	2
3.3 Acronyms and other abbreviations .....	2
4 HIPPI-LE services to 802.2 LLC.....	3
4.1 Service primitives types .....	3
4.2 Sequences of primitives .....	3
4.3 HIPPI-LE service primitive summary.....	4
4.4 HIPPI-LE transfer service primitives.....	4
4.5 HIPPI-LE station management service primitives.....	5
5 HIPPI-FP data framing services used by HIPPI-LE .....	6
6 HIPPI-LE data formats.....	7
6.1 HIPPI-LE PDU format .....	7
6.2 IEEE 48-bit address format .....	8

## Figures

Figure 1 – HIPPI-LE service relationship.....	3
Figure 2 – Data transfer service primitive.....	4
Figure 3 – Station management service primitives.....	5
Figure 4 – HIPPI-LE header format.....	8
Figure 5 – Mapping of 6-byte IEEE universal LAN MAC address to two 32-bit HIPPI words in LE_Header .....	8
Figure A.1 – Example IEEE 802.2 LLC PDU as an ordered hex byte stream with information field = DOD IP data set as specified by the Internet Engineering Task Force in RFC 1042 and RFC 1700.....	9
Figure A.2 – Example encapsulation of figure A.1 LLC PDU within a HIPPI packet with <i>suggested</i> fills and alignment, i.e., D1_Fill = 0 bytes and D2_Offset = 0.....	10
Figure A.3 – Example encapsulation of figure A.1 LLC PDU within a HIPPI packet with D2_Offset = 7 and a possibly non-empty D1_Fill.....	11
Figure A.4 – Example encapsulation of ISO IP PDU within a HIPPI packet with D1_Fill = 0 bytes and D2_Offset = 0.....	12

## Annex

A Example HIPPI packets containing HIPPI-LE PDUs .....	9
--	---

**Foreword** (This foreword is not part of American National Standard NCITS 218-200x.)

This High-Performance Parallel Interface, Encapsulation of ISO/IEC 8802-2 (IEEE STD 802.2) Logical Link Control Protocol Data Units (HIPPI-LE) standard defines the HIPPI-LE Protocol Data Unit (PDU) format and interface for transporting (via HIPPI) PDUs conforming to ISO/IEC 8802-2 (IEEE Std 802.2) Logical Link Control.

This standard was developed by Task Group X3T9.3 of Accredited Standards Committee X3 during 1990. The standards approval process started in 1991 and the document was approved in 1993. This standard was revised by Task Group T11.1 in 1998-1999, mainly by removing the address resolution protocol.

This document includes an annex which is informative and is not considered part of the standard.

Requests for interpretation, suggestions for improvement or addenda, or defect reports are welcome. They should be sent to the National Committee for Information Technology Standards, 1250 Eye Street, NW, Suite 200, Washington, DC 20005.

This standard was processed and approved for submittal to ANSI by NCITS. Committee approval of the standard does not necessarily imply that all committee members voted for approval. At the time it approved this standard, the NCITS had the following members:

Karen Higgenbottom, Chair  
Dave Michael, Vice-Chair  
Monica Vago, Secretary

<i>Organization Represented</i>	<i>Name of Representative</i>
AMP, Inc.....	John Hill
Aonix .....	Alexander Nawrocki
Apple Computer, Inc. ....	David Michael
	Jerry Kellenbenz (Alt.)
AT&T.....	Thomas Frost
	Paul Bartoli (Alt.)
Boeing Company .....	Janie Wiegand
	Andrea Vanosdoll (Alt.)
Bull HN Information Systems, Inc. ....	Randall Kilmartin
Compaq Computer Corporation .....	Scott Jameson
	Stephen Heil (Alt.)
Hewlett-Packard Company.....	Karen Higginbottom
	Wendy Fong (Alt.)
Hitachi American, Ltd.....	John Neumann
	Hal Miyamoto (Alt.)
IBM Corporation .....	Ronald F. Silletti
	Joel Urman (Alt.)
Institute for Certification of Computer Professionals (ICCP)...	Kenneth M. Zemrowski
	Tom Kurihara (Alt.)
Lucent Technologies, Inc. ....	Herbert Bertine
	Tom Rutt (Alt.)
Microsoft Corporation .....	Mark Ryland
	John Montgomery (Alt.)

National Institute of Standards & Technology .....	Michael Hogan William LaPlant Jr. (Alt.) Bruce Rosen (Alt.)
Newmonics, Inc. ....	Kelvin Nilsen John Weis (Alt.)
Omron Corporation .....	Hiroshi Kuribayashi Tak Natsume (Alt.)
Panasonic Technologies, Inc.....	Judson Hofmann Terence Nelson (Alt.)
Perennial .....	Barry Hedquist
Plum Hall, Inc.....	Thomas Plum Lana Lee Plum (Alt.)
Share, Inc.....	Dave Thewlis
Sony Electronics, Inc. ....	Masataka Ogawa Michael Deese (Alt.)
Sun Microsystems, Inc.....	Carl Cargill Roger Martin (Alt.) Ken Urquhart (Alt.)
Sybase, Inc.....	Andrew J. Eisenberg
Unisys Corporation .....	Arnold F. Winkler Stephen Oksala (Alt.)
U.S. Department of Defense/DISA .....	Russ Richards Doris Bernardini (Alt.)
U.S. Department of Energy .....	Bruce White Carol Blackston
Xerox Corporation.....	Jean Baronas Kathleen O'Reilly (Alt.)

Technical Committee T11 on Device Level Interfaces, which reviewed this standard, had the following participants:

Kumar Malavalli, Chairman  
Ed Grivna, Vice-Chairman

D. Allan	L. Hagins	M. O'Donnell
R. Allison	T. Hall	R. Pearson
G. Alvey	B. Ham	R. Pedersen
R. Atkinson	N. Harris	G. Penokie
D. Baldwin	V. Haydu	D. Peterson
D. Bannon	D. Hepner	S. Rahman
R. Beckett	B. Herzing	B. Raudebaugh
C. Binford	L. Hu	W. Rickard
R. Bossard	D. Instone	C. Ridgeway
P. Boulay	J. Johns	E. Rodriguez
J. Breher	L. Jones	R. Ronald
C. Brill	S. Jones	S. Roy
C. Carlson	M. Karg	J. Scheible
S. Carlson	J. Keller	J. Schroeder
T. Cobb	A. Kelley	E. Schurig
B. Collette	J. Kembel	P. Seto
J. Connell	R. Kembel	B. Smith
J. Coomes	B. Ketchum	R. Snively
R. Cornelius	S. Kipp	P. Spasic
D. Cravens	A. Kramer	J. Stai
R. Cummings	D. LaFollette	G. Stephens
Z. Daggett	M. Lamatsch	L. Stewart
R. Dahlgren	L. Lamers	A. Stone
J. D'Alessandro	A. Land	S. Swanson
S. Darnell	A. Langerman	J. Sylvia
J. Dedek	P. Levin	T. Szostak
D. Deming	T. Lindsay	L. Thorsbakken
M. DeWilde	B. Lynn	L. Torres
M. Dorsett	B. Mable	H. Truestedt

M. Dudek	P. Manka	J. Truedstedt
B. Dugan	R. Marbot	S. Van Doorn
P. Dunlap	W. Martin	F. Van Roessel
J. Fan	C. Mcknett	M. Wakeley
M. Farley	S. Meyer	N. Wanamaker
S. Finch	G. Milligan	G. Warden
M. Fitzpatrick	D. Moore	K. White
D. Ford	M. Morandi	L. Whitfield
M. Foster	F. Mottini	J. Williams
R. Franse	H. Naidu	S. Wilson
K. Fredericks	J. Nauman	M. Wingard
E. Frymoyer	J. Neer	D. Ybarra
M. Gaffney	J. Nelson	J. Young
E. Gardner	C. Nieves	L. Young
M. Gerwig	C. Nogales	C. Zeitler
J. Golio	J. Nutter	P. Zoller

Task Group T11.1 on the High-Performance Parallel Interface, which revised this standard, had the following participants. Included are principal contributors who developed the original standard in X3T9.3.

Roger Ronald, T11.1 Chairman  
Don Woelz, T11.1 Vice-Chairman  
Don Tolmie, Technical Editor

B. Beach	B. Lynn
J. Bhat	M. McGowen
M. Boorman	A. Oakes
G. Boyd	E. Parish
H. Brandt	R. Pearson
E. Cady	I. Philp
G. Chesson	C. Pick
R. Cummings	J. Pinkerton
C. Davidson	J. M. Pittet
N. Droux	J. Renwick
J. Ellis	P. Rupert
S. Gillett	W. Sanderson
D. Hagerman	W. Smith
M. Halvorson	D. Some
M. Howard	L. Stewart
L. Huff	R. Thomas
J. Hughes	R. Thomsen
D. Hyer	T. Truong
A. Kelley	B. Willard
L. Lamers	J. Young

## American National Standard for Information Technology –

# High-Performance Parallel Interface – Encapsulation of ISO/IEC 8802-2 (IEEE Std 802.2) Logical Link Control Protocol Data Units (HIPPI-LE)

## 1 Scope

This American National Standard specifies a common method for encapsulating ISO/IEC 8802-2 (IEEE Std 802.2) Logical Link Control Protocol Data Units (PDU) on HIPPI.

Characteristics of HIPPI-LE include:

- Encapsulation of arbitrary Protocol Data Units that conform to ISO/IEC 8802-2 (IEEE Std 802.2) Logical Link Control;
- Provision for 48-bit source and destination addresses conforming to IEEE 802.1A;
- Provision for eight forwarding classes to distinguish, for example, among ordinary data PDUs, PDUs for services that require bandwidth guarantees such as packet video, etc.

## 2 Normative references

The following standards contain provisions which, through reference in the text, constitute provisions of this standard. At the time of publication, the editions indicated were valid. All standards are subject to revision, and parties to agreements based on this standard are

encouraged to investigate the possibility of applying the most recent editions of the standards listed below.

Copies of the following documents can be obtained from ANSI: Approved ANSI standards, approved and draft international and regional standards (ISO, IEC, CEN/CENELEC, ITUT) and approved foreign standards (including BSI, JIS, and DIN). For further information, contact ANSI Customer Service Department at 212-642-4900 (phone) 212-302-1286 (fax) or via the World Wide Web at <http://www.ansi.org>. Additional availability contact information is provided below as needed.

ANSI X3.210-1992, *High-Performance Parallel Interface, – Framing Protocol (HIPPI-FP)*

ANSI X3.222-1993, *High-Performance Parallel Interface, – Physical Switch Control (HIPPI-SC)*

ANSI/IEEE Std 802-1990, *IEEE Standards for Local and Metropolitan Area Networks: Overview and architecture (formerly known as IEEE Std 802.1A, Project 802: Local and Metropolitan Area Network Standard — Overview and Architecture)*

ISO/IEC 8802-2:1989 (ANSI/IEEE Std 802.2-1989), *Information Processing Systems – Local Area Networks – Part 2: Logical Link Control*

### 3 Definitions and conventions

#### 3.1 Definitions

For the purposes of this standard, the following definitions apply.

**3.1.1 802.2 LLC PDU:** A PDU formatted according to ISO/IEC 8802-2 (IEEE Std 802.2) Logical Link Control.

**3.1.2 HIPPI-LE PDU:** A PDU that includes a HIPPI-LE header and an 802.2 LLC PDU and is formatted according to clause 6.

**3.1.3 optional:** A term referring to features that are not required by the standard. However, if any optional feature defined by the standard is implemented, it shall be implemented according to the standard.

**3.1.4 protocol data unit (PDU):** A formatted data set that is a logical unit of interchange between entities.

**3.1.5 service data unit (SDU):** A formatted data set that includes a PDU and optional information for the convenience of an implementer.

**3.1.6 station management (SMT):** The supervisory entity that monitors and controls HIPPI.

**3.1.7 Switch Address:** A value in the switch hardware domain which selects the route or end point of a HIPPI connection. The range and format depend on switch hardware. HIPPI-SC specifies two formats: Logical Address (12 bits) and Source Route (24 bits).

#### 3.2 Editorial conventions

In this standard, certain terms that are proper names of service primitives, or similar terms are printed in uppercase to avoid possible confusion with other uses of the same words (e.g., TRANSFER). Any lowercase uses of these words have the normal technical English meaning.

The first letter of each word of service parameters, service primitive types, and similar terms is capitalized (e.g., Destination\_Address, Status, Request). Any lowercase uses of these words have the normal technical English meaning.

#### 3.3 Acronyms and other abbreviations

<b>ARP</b>	Address Resolution Protocol
<b>CCI</b>	connection control information
<b>FP</b>	Framing Protocol
<b>HIPPI</b>	High-Performance Parallel Interface
<b>IEEE</b>	Institute of Electrical and Electronic Engineers
<b>IP</b>	Internet Protocol
<b>LE</b>	Link Encapsulation
<b>LESM</b>	Link Encapsulation - Station Management
<b>LLC</b>	Logical Link Control
<b>PDU</b>	protocol data unit
<b>RFC</b>	Request For Comment
<b>SMT</b>	station management
<b>SDU</b>	service data unit
<b>ULP</b>	upper layer protocol

#### 4 HIPPI-LE services to 802.2 LLC

This clause specifies the services provided by HIPPI-LE. The intent is to allow 802.2 LLC to operate correctly with HIPPI-LE. How many of the services described in this clause are chosen for a given implementation is up to the implementer; however, the set of HIPPI-LE services supplied shall be sufficient to satisfy the higher level protocol(s) being used. Service parameters are also optional and additional parameters not shown may be used as necessary. The services as defined in this standard do not imply any particular implementation, or any interface.

In this standard the 802.2 LLC and station management protocol (SMT) are service users, and the HIPPI-LE is the service provider to the 802.2 LLC and SMT. The primitives to 802.2 LLC are prefixed with LE\_ and the SMT primitives are prefixed with LESM\_.

The HIPPI-LE is also the service user of HIPPI-FP services, which are prefixed with FP\_.

Figure 1 shows the relationship of the services provided by and used by HIPPI-LE.

##### 4.1 Service primitives types

HIPPI service primitives are of four types:

- *Request primitives* are issued by a service user to initiate a service from the service provider;
- *Confirm primitives* are issued by the service provider to acknowledge a Request;
- *Indicate primitives* are issued by the service provider to notify the service user of a local event. This primitive is similar in nature to an unsolicited interrupt. Note that the local event may have been caused by a service Request;
- *Response primitives* are issued by a service user to acknowledge an Indicate.

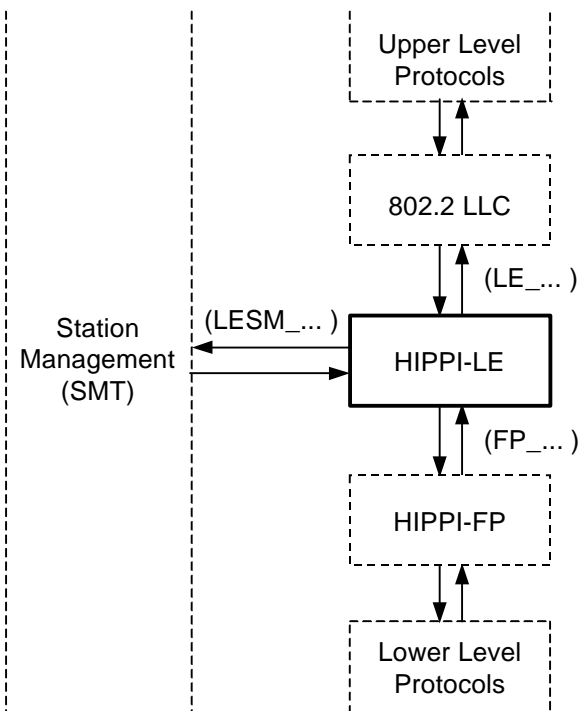


Figure 1 – HIPPI-LE service relationship

##### 4.2 Sequences of primitives

The order of execution of service primitives is not arbitrary. Logical and time sequence relationships exist for all described service primitives. Time sequence diagrams are used to illustrate a valid sequence. Other valid sequences may exist. The sequence of events between peer users across the user/provider interface is illustrated. In the time sequence diagrams, the HIPPI-LE users are depicted on either side of the vertical bars while the service provider is in the center.

### 4.3 HIPPI-LE service primitive summary

802.2 LLC Data Transfer:

```

LE_TRANSFER.Request (
    Destination_Address,
    LE_SDU)

LE_TRANSFER.Confirm (Transmission_Status)

LE_TRANSFER.Indicate (
    Destination_Address,
    Source_Address,
    LE_SDU,
    Reception_Status)

LE_TRANSFER.Response
    
```

Local Station Management:

```

LESM_STATUS_CTRL.Request (Control)

LESM_STATUS_CTRL.Confirm (Status)

LESM_STATUS_CTRL.Indicate (Status)

LESM_STATUS_CTRL.Response
    
```

### 4.4 HIPPI-LE transfer service primitives

These primitives, as illustrated in figure 2, are used to transfer an 802.2 LLC PDU from source 802.2 LLC to destination 802.2 LLC.

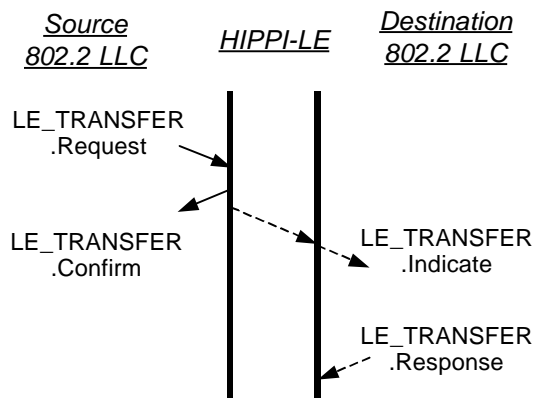


Figure 2 – Data transfer service primitive

#### 4.4.1 LE\_TRANSFER.Request

This primitive is issued by the source 802.2 LLC to request a data transfer to the destination 802.2 LLC. The HIPPI-LE PDU format is defined in 6.1.

```

LE_TRANSFER.Request (
    Destination_Address,
    LE_SDU)
    
```

Destination\_Address is the information necessary to forward the HIPPI-LE PDU to its desired destination.

LE\_SDU is the service data unit which includes the 802.2 LLC PDU that is to be sent.

NOTE 1 – The Requested\_Service\_Class parameter of 802.2 LLC is not used by HIPPI-LE.

Issued – The source 802.2 LLC issues this primitive to request a transfer of an 802.2 LLC PDU to a destination 802.2 LLC.

Effect – The Source HIPPI-LE shall accept the 802.2 LLC PDU for transmission. The HIPPI-LE shall build an LE\_Header and D2\_Area, as specified in 6.1, and invoke FP\_TRANSFER.Request to send the HIPPI-LE PDU to the destination.

NOTE 2 – Significant performance loss may occur if the D2\_Offset in the HIPPI-FP header is non zero, although receivers must be prepared to accept any D2\_Offset allowed by HIPPI-FP.

#### 4.4.2 LE\_TRANSFER.Confirm

This primitive acknowledges the LE\_TRANSFER.Request from the Source ULP.

```

LE_TRANSFER.Confirm (Transmission_Status)
    
```

Transmission\_Status is used to pass status information back to the local requesting LLC entity. The content of the Transmission\_Status is implementation dependent.

NOTE 3 – The Provided\_Service\_Class parameter of 802.2 LLC is not used by HIPPI-LE.

Issued – The HIPPI-LE issues this primitive to the Source 802.2 LLC to acknowledge the LE\_TRANSFER.Request.

Effect – Unspecified.

#### 4.4.3 LE\_TRANSFER.Indicate

This primitive indicates to the 802.2 LLC that a HIPPI-LE PDU addressed to the HIPPI-LE entity at this particular destination has been received.

LE\_TRANSFER.Indicate (  
 Destination\_Address,  
 Source\_Address,  
 LE\_SDU,  
 Reception\_Status)

Destination\_Address includes the IEEE 48-bit address as contained in the Destination\_IEEE\_Address field of the received HIPPI-LE PDU.

Source\_Address includes the IEEE 48-bit address as contained in the Source\_IEEE\_Address field of the received HIPPI-LE PDU.

LE\_SDU is the service data unit that includes the encapsulated 802.2 LLC PDU as contained in the D2\_Data\_Set of the received HIPPI-LE PDU.

Reception\_Status shall denote whether the received HIPPI-LE PDU was received with errors. Reception\_Status may include other information.

NOTE 4 – The Requested\_Service\_Class parameter of 802.2 LLC is not used by HIPPI-LE.

Issued – The destination HIPPI-LE issues this primitive to the destination 802.2 LLC when a PDU for the 802.2 LLC has been received.

Effect – Unspecified.

NOTE 5 – This standard does not protect against errors that may be introduced by intermediate devices that interconnect HIPPI-PHs, e.g., re-ordered HIPPI bursts.

#### 4.4.4 LE\_TRANSFER.Response

This primitive acknowledges the LE\_TRANSFER.Indicate from the Destination HIPPI-LE.

LE\_TRANSFER.Response

Issued – The destination 802.2 LLC issues this primitive to acknowledge receipt of the LE\_TRANSFER.Indicate.

Effect – Unspecified.

### 4.5 HIPPI-LE station management service primitives

These primitives, as illustrated in figure 3, are used to manage the local HIPPI-LE. These primitives may be used at either a source or destination HIPPI-LE.

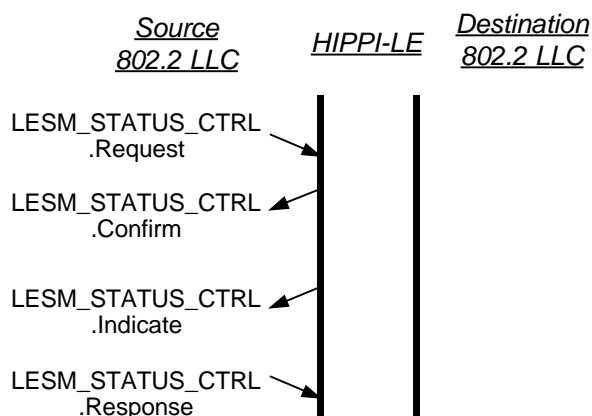


Figure 3 – Station management service primitives

#### 4.5.1 LESM\_STATUS\_CTRL.Request

This primitive is issued to set HIPPI-LE parameters or to read the value of HIPPI-LE parameters. The parameters are implementation dependent and are not specified.

LESM\_STATUS\_CTRL.Request (Control)

Control represents the commands, parameters, and values to be acted on.

Effect – Unspecified.

#### 4.5.2 LESM\_STATUS\_CTRL.Confirm

This primitive replies to the associated LESM\_STATUS\_CTRL.Request with status information.

LESM\_STATUS\_CTRL.Confirm (Status)

Status represents the parameters and values that were set or read as a result of the LESM\_STATUS\_CTRL.Request.

Effect – Unspecified.

#### 4.5.3 LESM\_STATUS\_CTRL.Indicate

This primitive informs the SMT entity that an important event has occurred that affects the operation of the HIPPI-LE.

LESM\_STATUS\_CTRL.Indicate (Status)

Status represents the parameters and values that describe the event.

Effect – Unspecified.

#### 4.5.4 LESM\_STATUS\_CTRL.Response

This primitive acknowledges the LESM\_STATUS\_CTRL.Indicate.

LESM\_STATUS\_CTRL.Response

Effect – Unspecified.

## 5 HIPPI-FP data framing services used by HIPPI-LE

HIPPI-LE is dependent on the capabilities of the lower layer, e.g., HIPPI-FP, for both data delivery and error detection.

The following are the HIPPI-FP primitives that are logically used by HIPPI-LE. The complete specification of these primitives is contained in the HIPPI Framing Protocol (HIPPI-FP) document. The exact mapping from the HIPPI-LE services to HIPPI-FP services is implementation dependent.

HIPPI-LE Data Transfer:

FP\_TRANSFER.Request (  
CCI,  
ULP-id,  
D1\_Size,  
D1\_Data\_Set,  
D2\_Size,  
D2\_Data\_Set,  
Keep\_Connection,  
Start\_D2\_on\_Burst\_Boundary)

FP\_TRANSFER.Confirm

FP\_TRANSFER\_D1.Indicate (  
ULP-id, CCI, Status,  
D2\_Size,  
D2\_Offset,  
D1\_Area\_Size,  
D1\_Data\_Set)

FP\_TRANSFER\_D2.Indicate (ULP-id,  
CCI, Status,  
D2\_Size,  
D2\_Offset,  
D2\_Data\_Set)

FP\_TRANSFER.Response

## 6 HIPPI-LE data formats

The data transferred between the HIPPI-FP and HIPPI-LE is an ordered byte stream formatted as specified in the HIPPI-FP document.

### 6.1 HIPPI-LE PDU format

A HIPPI-LE PDU shall comprise two areas, (1) a D1\_Area containing the LE\_Header, and (2) a D2\_Area containing the 802.2 LLC PDU.

#### 6.1.1 LE\_Header (D1\_Data\_Set)

The LE\_Header shall comprise the D1\_Data\_Set.

The LE\_Header shall be formatted as shown in figure 4. The image is shown as it would appear in 32-bit HIPPI words. The most-significant bit of the individual fields shown in figures 6 and 7 shall be at the left end of the field. The reserved field in figure 4 shall be transmitted as zeros.

FC is the 3-bit Forwarding Class for this 802.2 LLC PDU; the value ranges from 0 to 7. The value 0 shall be used as the default. The meaning of the other values is not specified.

Double\_Wide (W) (1 bit) may contain one if the Destination whose address is given in the Source\_Switch\_Address field supports 64 bit HIPPI operation. Otherwise it shall contain zero.

NOTE 6 – The W bit is a hint to the receiver that it may make a return connection in 1600 Mbit/s mode.

Message\_Type (M\_Type) (4 bits) contains a code identifying the type of HIPPI-LE PDU. Undefined values are reserved; defined values (binary) are:

0000 Data PDU  
0011 Self Address Resolution Request PDU  
0100 Self Address Resolution Response PDU  
1100-1111 Locally Assigned

Destination\_Address\_Type (D\_A\_T) (4 bits) and Source\_Address\_Type (S\_A\_T) (4 bits) contain a code identifying the type of addresses in the Destination\_Switch\_Address and Source\_Switch\_Address fields, respectively. Defined values (binary) are:

0000 Address not present  
0001 HIPPI-SC Source Route (24 bits)  
0010 HIPPI-SC Logical Address (12 bits)  
0011-1011 Reserved  
1100-1111 Locally Assigned

Destination\_Switch\_Address is a 24-bit field containing the Switch Address of the Destination. If the address consists of less than 24 bits, it shall be right justified (occupying the least significant bits) in the field.

Source\_Switch\_Address is a 24-bit field containing the Switch Address of the Source. If the address consists of less than 24 bits, it shall be right justified (occupying the least significant bits) in the field.

NOTE 7 – The Double\_Wide, Switch\_Address, and Address\_Type fields are of primary interest for the ARP protocol. Whether or not they are used with Data PDUs is implementation dependent.

Destination\_IEEE\_Address is the 48-bit Universal LAN MAC Address of the destination. This address space is specified by IEEE Standard 802.1A and the globally unique part of the space is administered by the IEEE. If the Destination\_IEEE\_Address is not known, then the value 0 shall be used.

NOTE 8 – Some network devices, e.g., 802 LANs, FDDI, and MAC-level bridges, require a non zero 48-bit Universal LAN MAC destination address in order to deliver a PDU.

LE\_Locally\_Administered is a 16-bit field which is locally administered for each HIPPI-LE network. The values in this field are not specified although the value 0 is suggested as a default.

Source\_IEEE\_Address is the 48-bit Universal LAN MAC Address of the source of this 802.2 LLC PDU. This address space is specified by IEEE Standard 802.1A and the globally unique part of the space is administered by the IEEE. It is recommended that every source of HIPPI-LE PDUs be assigned a Universal LAN MAC source address according to the method specified in IEEE Standard 802.1A. However, if the Source\_IEEE\_Address is not known or has not been assigned, then the value 0 shall be used.

**NOTE 9** – Some network devices, e.g., 802 LANs, FDDI, and MAC-level bridges, require a non zero 48-bit Universal LAN MAC source address in order to provide two-way communication.

## 6.2 IEEE 48-bit address format

The IEEE Standard 802.1A specifies that a 48-bit Universal LAN MAC Address (ULA) is represented as an ordered string of six bytes numbered from 0 to 5. The least significant bit of byte 0 is the Individual/Group Address (I/G) bit. The next least significant bit is the Universally or Locally Administered Address (U/L) bit. The IEEE Standard 802.1A further specifies that the bytes be transmitted in the order 0 through 5.

Figure 5 shows how the bytes of an ULA (for either source or destination address) shall be mapped to two 32-bit HIPPI words in the LE\_Header.

### 6.1.2 802.2 LLC PDU (D2\_Data\_Set)

The contiguous bytes of the 802.2 LLC PDU shall comprise the D2\_Data\_Set. See annex A for examples.

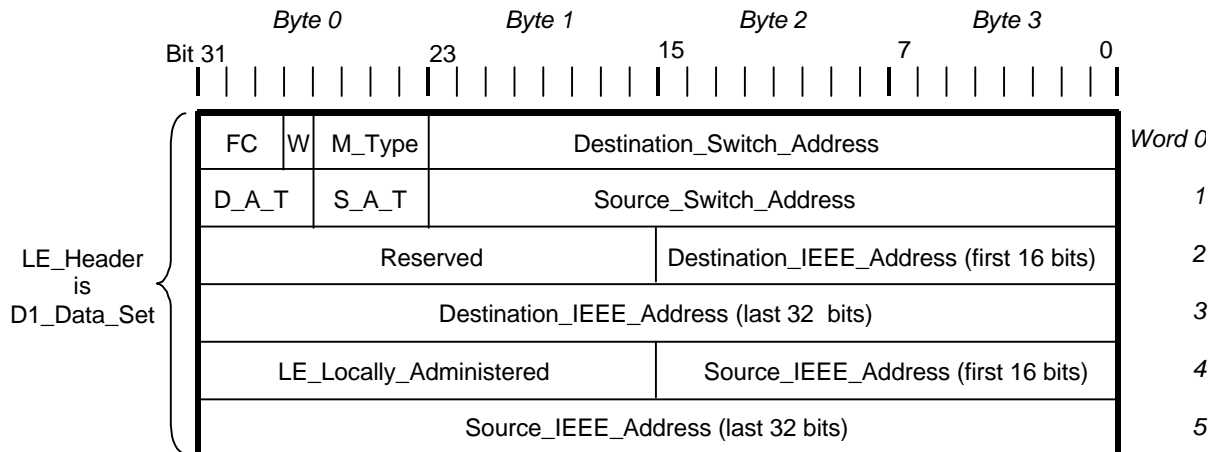


Figure 4 – HIPPI-LE header format

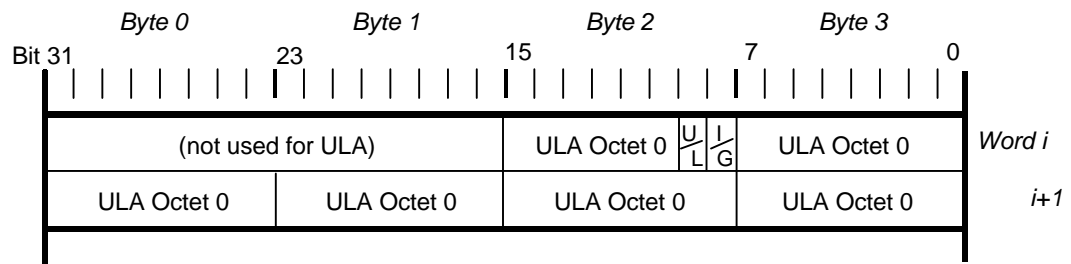
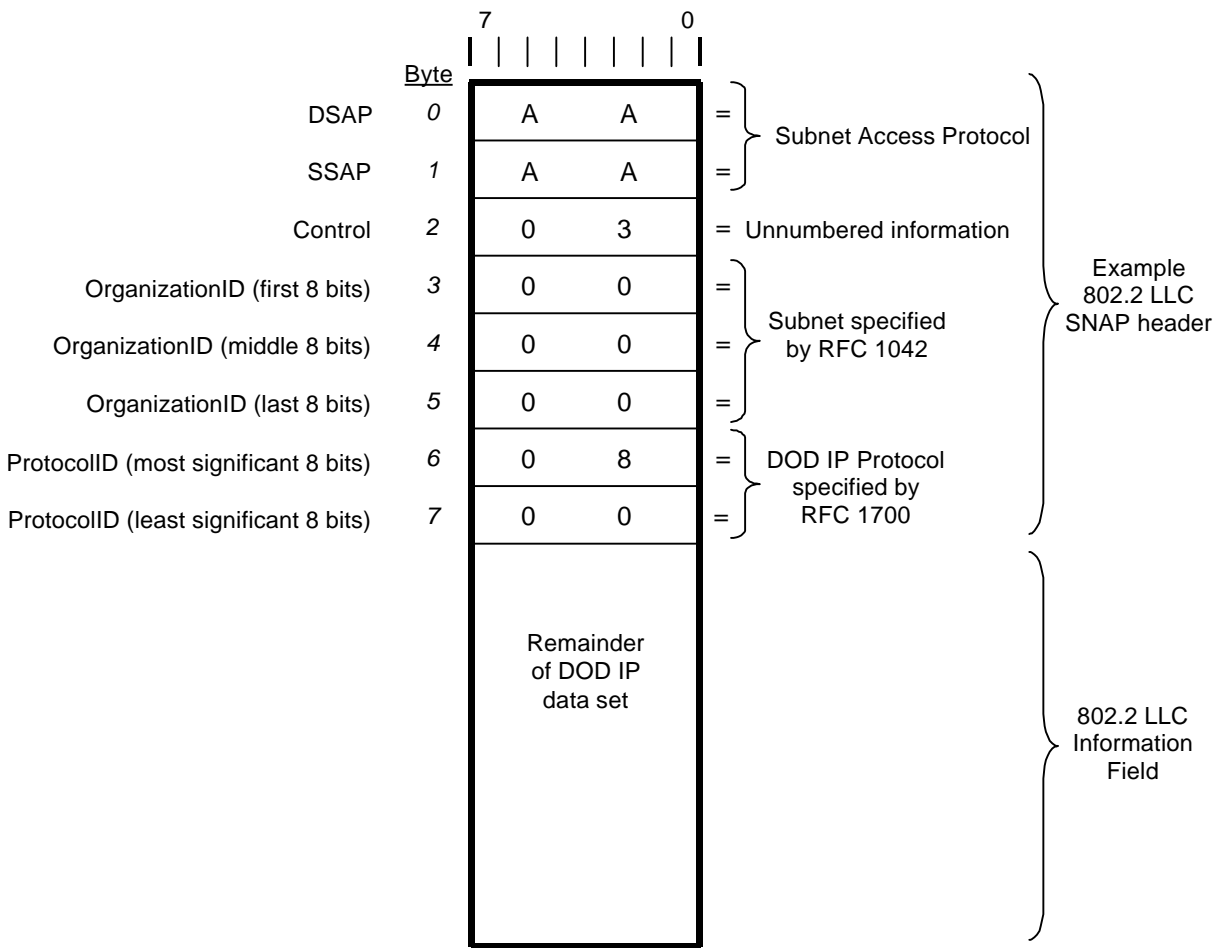


Figure 5 – Mapping of 6-byte IEEE universal LAN MAC address to two 32-bit HIPPI words in LE\_Header

### Annex A (informative)

#### Example HIPPI packets containing HIPPI-LE PDUs



**Figure A.1 – Example IEEE 802.2 LLC PDU as an ordered hex byte stream with information field = DOD IP data set as specified by the Internet Engineering Task Force in RFC 1042 and RFC 1700**

RFC 1042, "A Standard for the Transmission of IP Datagrams over IEEE 802 Networks," and RFC 1700, "Assigned Numbers," are working standards documents from the TCP/IP internetworking community. Copies of these documents are available

from numerous electronic sources (e.g., <http://www.ietf.org>) or by writing to IETF Secretariat, c/o Corporation for National Research Initiatives, 1895 Preston White Drive, Suite 100 Reston, VA 20191-5434, USA.

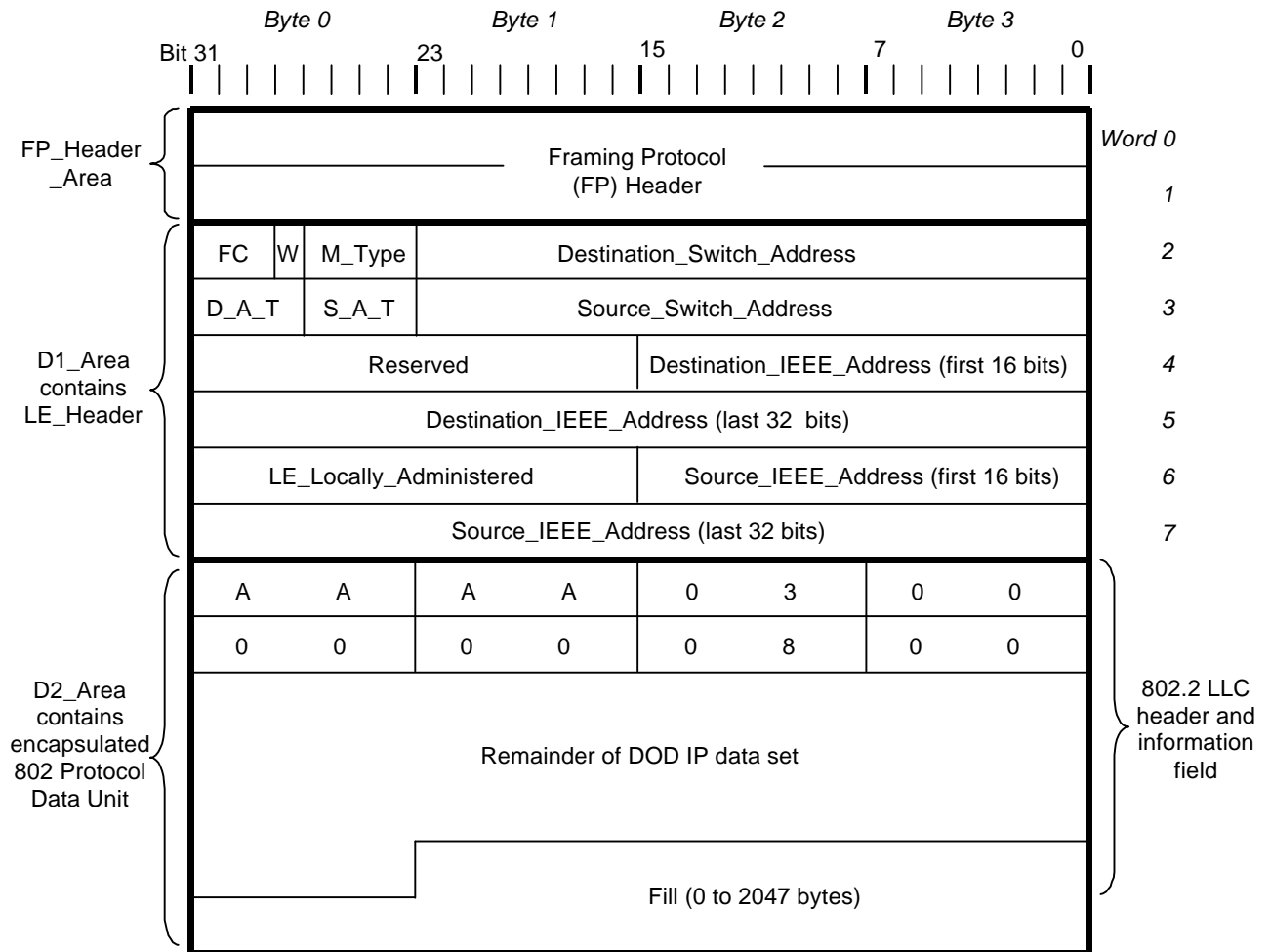
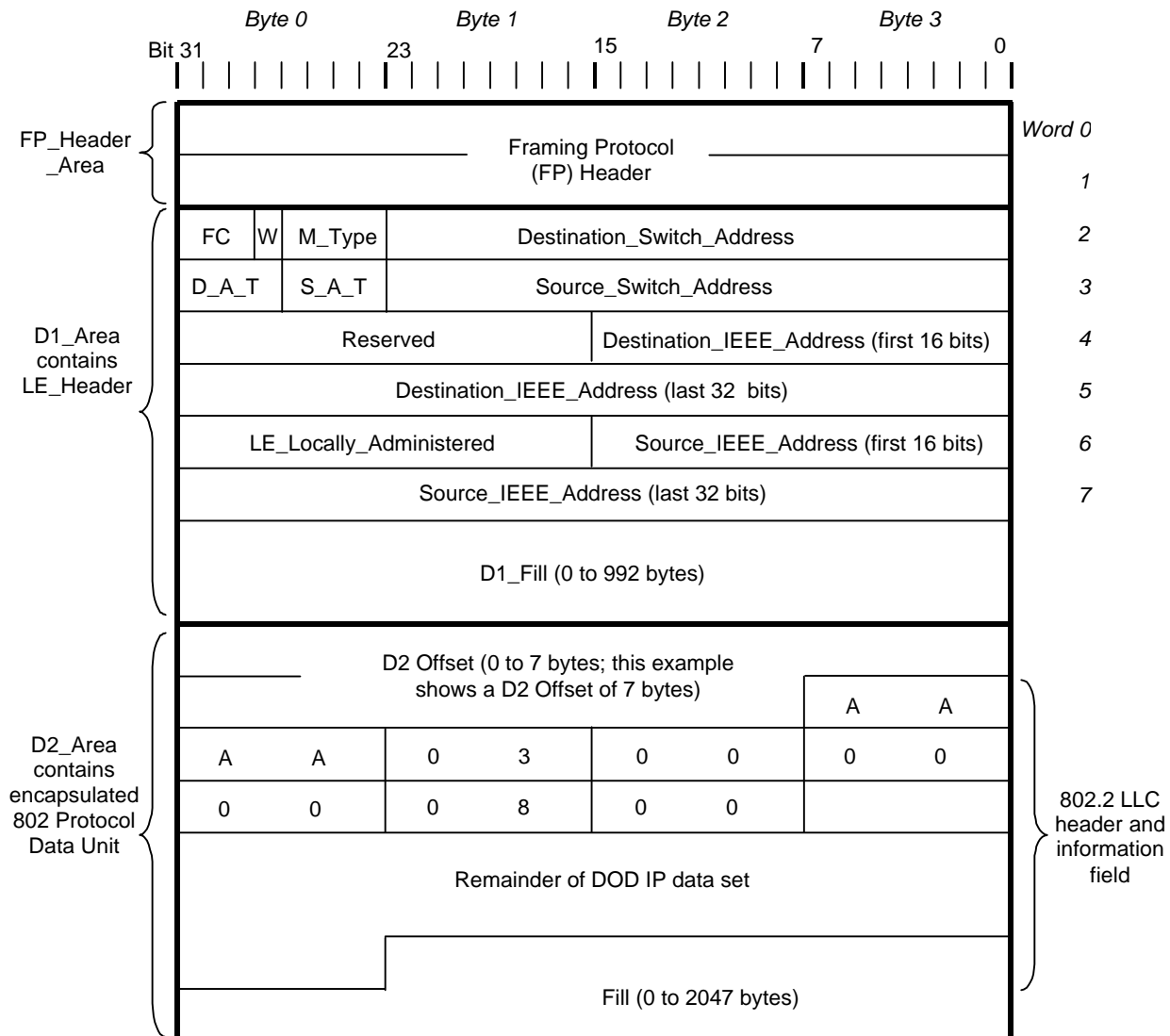
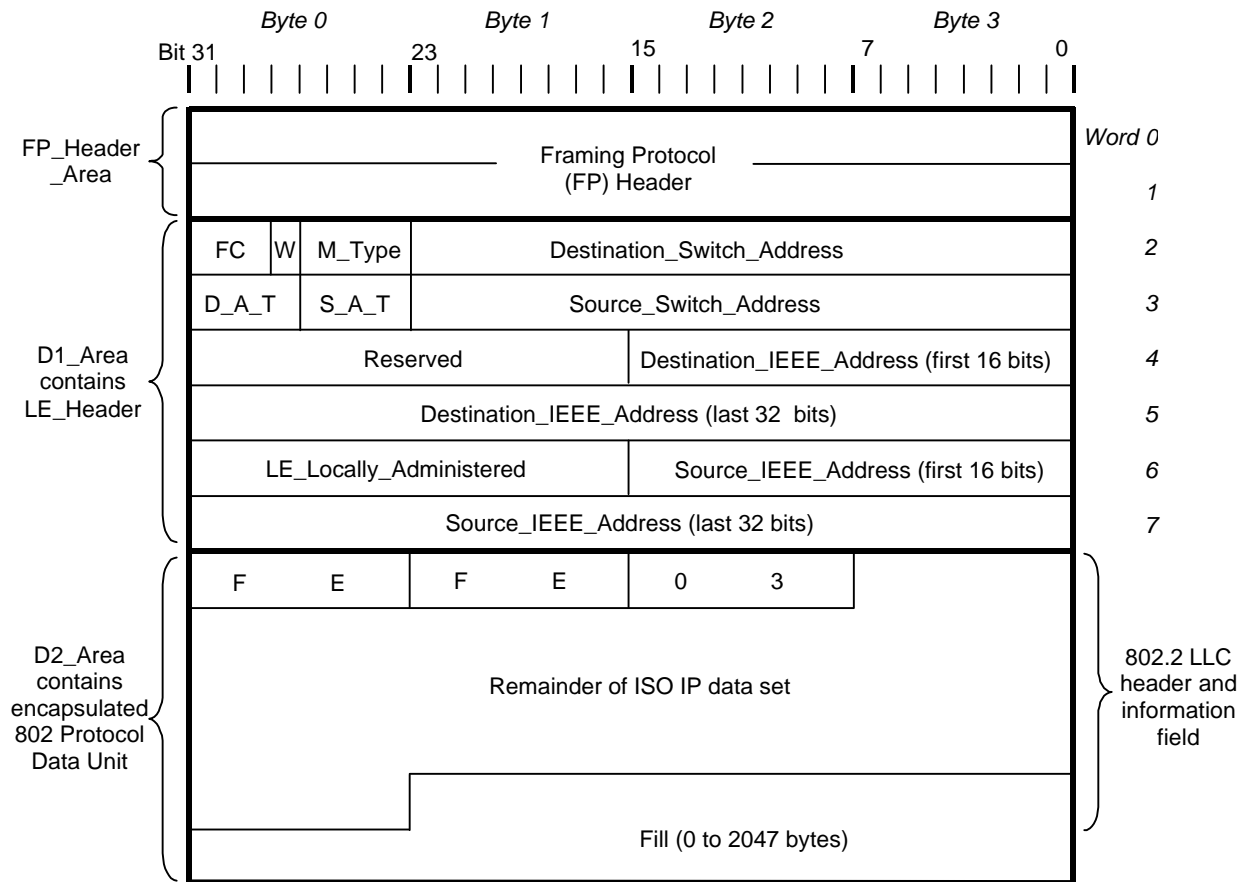


Figure A.2 – Example encapsulation of figure A.1 LLC PDU within a HIPPI packet with *suggested* fills and alignment, i.e., D1\_Fill = 0 bytes and D2\_Offset = 0



**Figure A.3 – Example encapsulation of figure A.1 LLC PDU within a HIPPI packet with D2\_Offset = 7 and a possibly non-empty D1\_Fill**



**Figure A.4 – Example encapsulation of ISO IP PDU within a HIPPI packet with D1\_Fill = 0 bytes and D2\_Offset = 0**